



# SKIOLD DAMAS VIBAM



SKIOLD MAKES THE DIFFERENCE!



**SKIOLD**DAMAS

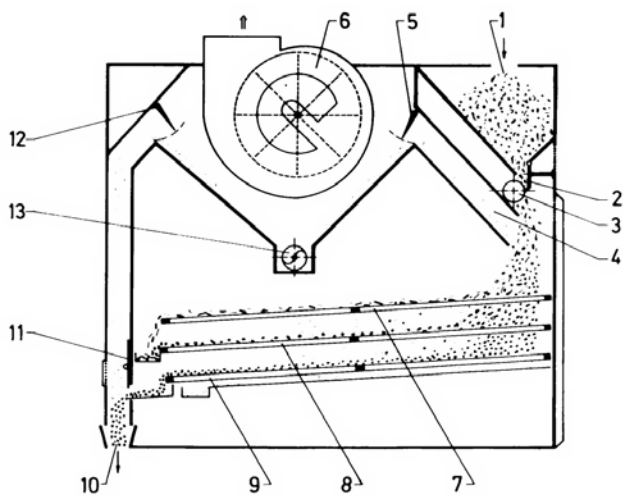
SKIOLD en France: Tél. 33 (0)2 97 25 05 30 • [www.skiold.com/fr](http://www.skiold.com/fr) • [france@skiold.com](mailto:france@skiold.com)

SKIOLD DAMAS • DK-5250 Odense SV • Tel.: +45 99 89 88 87 • Email: [skiold@skiold.com](mailto:skiold@skiold.com) • [www.skiold.com/seed](http://www.skiold.com/seed)

# SKIOLD DAMAS VIBAM

## Function

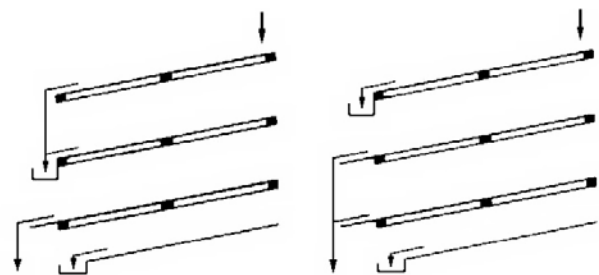
The raw material (1) is conveyed over the feed roller (3) via the regulating slide (2), where the capacity can be set. The material passes through the presuction duct (4), where light impurities are sucked off (6). The aspiration is regulated by the slide (5). The screen function is described below. Before the clean material (10) leaves the machine in its total width, the material passes through an upward air current. The quantity of this air current is adjustable by the slides (11) and (12). In this way light and germinated seeds are removed. The heavy particles from the aspiration chamber are discharged via the worm (13), while light impurities (6) are carried by the air to e.g. a cyclone.



Function

## Screen systems

Screen system A (left) can be changed into screen system B (right) if one outlet chute is moved. System A is mainly used for precleaning. The upper and intermediate screen layers are used for scalping, whereas the lower screen layer is sand screens. System B is used for fine cleaning cereal seed and for various grading tasks. The upper screen layer is used for scalping. If the perforations of the intermediate screen layer are somewhat larger than those of the lower screen layer, the intermediate layer will act as relief for the lower screen layer and consequently result in increased grading capacity. "Throughs" from the lower screen layer are small seeds, etc.



Screen systems

### TECHNICAL SPECIFICATIONS

	1013	1026
Screen width (mm):	1050	1050
Number of screens (pcs.):	6	12
Screen area (m <sup>2</sup> ):	5	10
Motor (kW):	3.0	4.0
Width (mm):	1660	1660
Length (mm):	2260	2260
Height (mm):	1770	2375
Weight (kg):	1000	1200

### GUIDING CAPACITIES

	1013	1026
Precleaning (dry barley), system A (t/h):	20	40
Fine cleaning, cereal seed (barley), system B (t/h):	5	10
Malting barley grading, system B (50% of possible removed) (t/h):	6	11